

## Features

- Surge protection  
IEC 61000-4-5: 80 V
- Input clamping voltage: 42 V (Typ.)
- Overvoltage protection (OVP)
- Overtemperature protection (OTP)
- ESD protection  
IEC 61000-4-2 air discharge: > 15 kV  
IEC 61000-4-2 contact discharge: > 8 kV
- Negative voltage protection (-6 V)

## Descriptions

The TCS9266 features a low- $R_{ON}$  internal FET and an operating range of 2.5 V<sub>DC</sub> to 40 V<sub>DC</sub> (absolute maximum of 42 V<sub>DC</sub>). The TCS9266 features overvoltage protection that powers down the internal FET if the input voltage exceeds the OVP threshold. The OVP threshold is adjustable with optional external resistors. Overtemperature protection also powers down the device at 130°C (Typ.).

The TCS9266 is available in WLCSP-12 package.

## Applications

- Mobile handsets and tablets
- Portable media players
- MP3 players

## Function Block Diagram

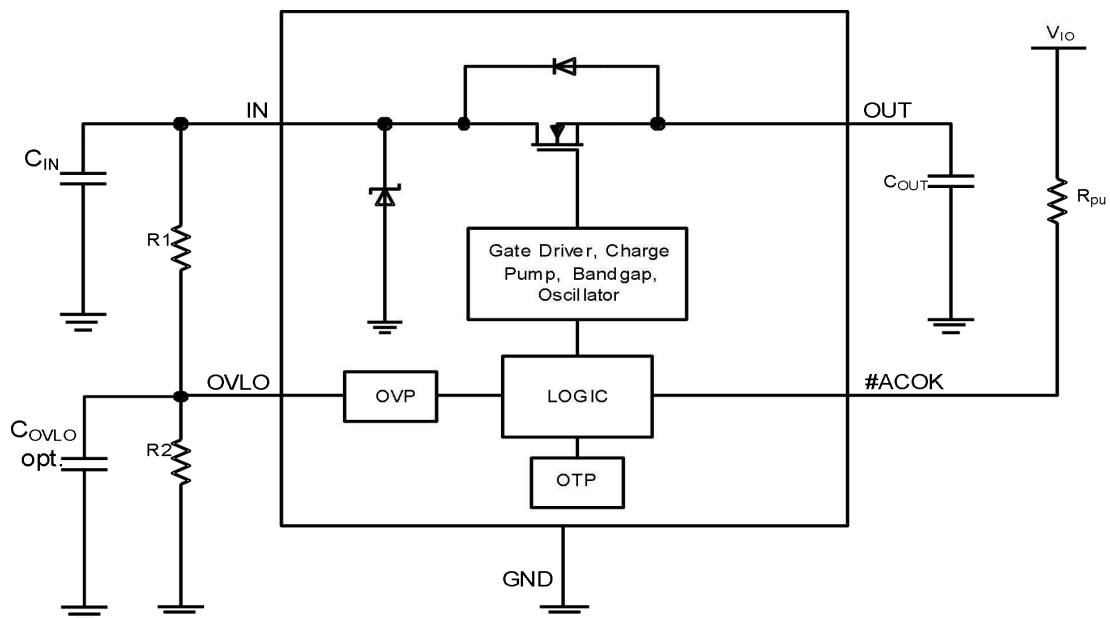


Figure 1. Functional block diagram